

# SETINA<sup>®</sup>

FIREARMS MOUNTING SYSTEMS

**CW**  
COLD WIRE<sup>®</sup>  
TECHNOLOGY

FEATURING SIMPLE SOLUTIONS BY **BLAC-RAC<sup>®</sup>**

TACTICAL WEAPONS RACK



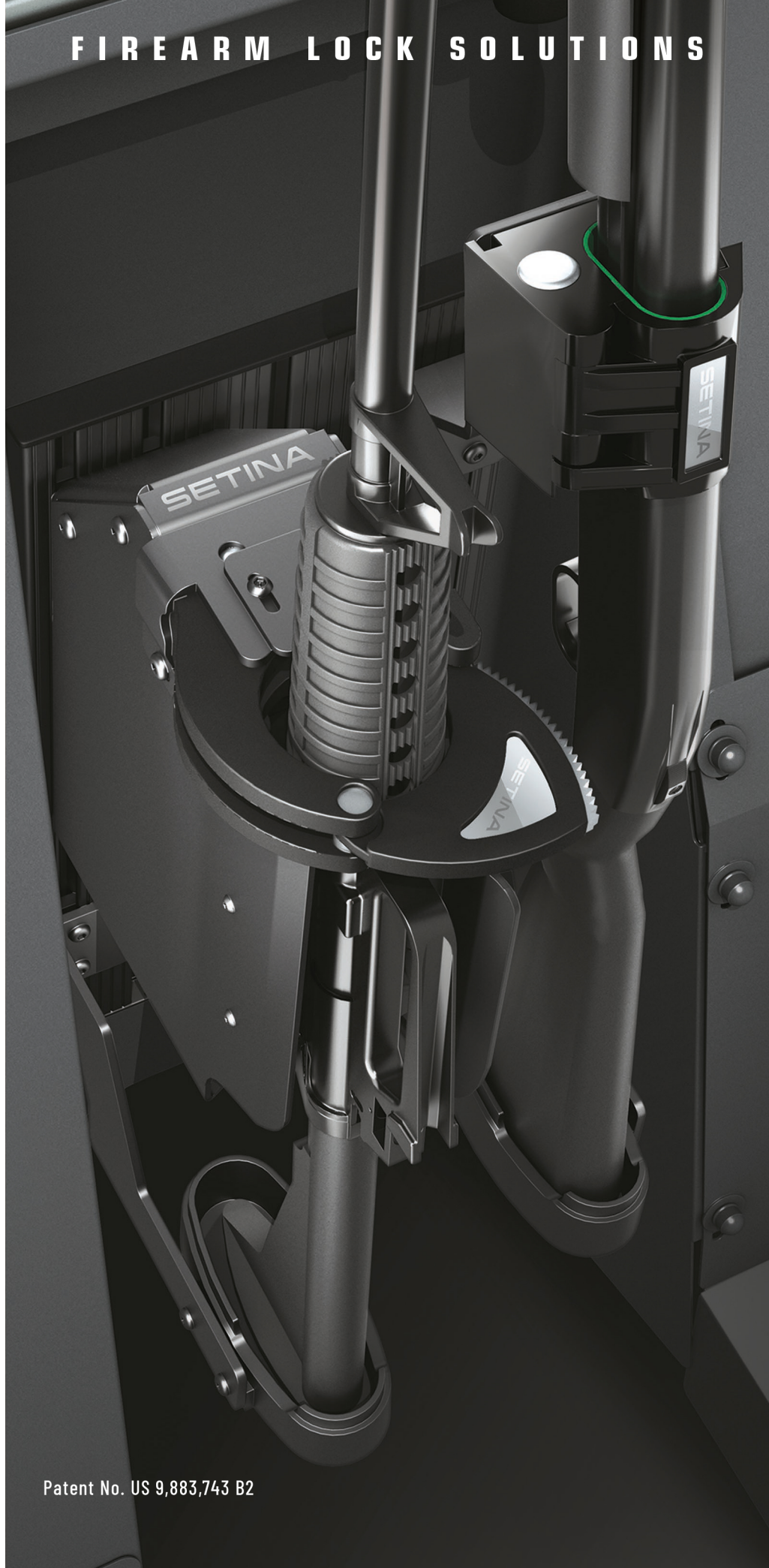
## Simple Solutions For Complex Firearms

### VaultLock Features

- Enclosed, one-piece, shroud and lock design.
- Provides added protection to critical firearms components.
- Prevents firearm's disassembly by making take down pins, magazine and trigger inaccessible.
- Secured with Tamper Proof Security Fasteners.
- Rounded "Anti-Scuff" strips for easy Firearm Removal and Insertion.
- Adapter plate for Weapon flexibility.
- Fits most configurations of AR-15's, and M4's with collapsible stocks & rails.
- Compatible with firearm accessories.
- Provides Quick, Easy Firearms access.
- Compatible with any Setina Dual or Single T-Rail Firearm Mounting System.
- Heavy Duty, Light-Weight Aircraft Grade Aluminum.

### T-RAIL TECHNOLOGY

T-Rail Weapon Systems provide maximum adjustability and flexibility to accommodate multiple weapons and lock heads. Available in Double or Single Mount models, with Universal, Small, Large, "VaultLock", or Blac-Rac lock options. Fits XL, Recessed Panel and Flat Panel Partitions.



Patent No. US 9,883,743 B2

# SETINA

## Partition & Freestanding Mounting System

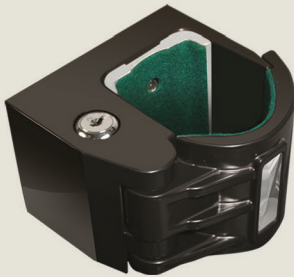
### AVAILABLE LOCKS



UNIVERSAL LOCK



SMALL LOCK



LARGE LOCK



4130E SHOTGUN



1082E AR/M4



### PARTITION MOUNT

*Shown with Blac-Rac and Large Lock*



### FREESTANDING BASE

*Setina's Modular Design allows the transfer of the T-Rail Weapon System between Partition Mount and a Free-Standing Mount*



### FREESTANDING MOUNT

*Shown with the Universal & Small Lock.*

Distributed Exclusively  
For Law Enforcement

**TACTICAL WEAPONS MOUNT  
FOR LAW ENFORCEMENT**



**BLAC-RAC® 1088-E** is a versatile, compact 40mm firearms retention system, available in electronic or manual models. It accommodates various 40mm weapon platforms, is optics-friendly, and offers swivel and offset positioning.



### **4130-E Shotgun Lock**

- Machined from aluminum billet for superior strength.
- Retains weapon even if unit is unlocked.
- Secures firearm tightly to reduce vehicle vibrations.
- Side saddle and optics friendly.

### **FIRST TRUE TACTICAL WEAPONS MOUNT FOR LAW ENFORCEMENT**

*For shotguns, automatic weapons or less than lethal weapons.  
The most versatile, compact weapons retention system  
available. Multiple Firearms, Multiple Locations, Multi-Purpose.*